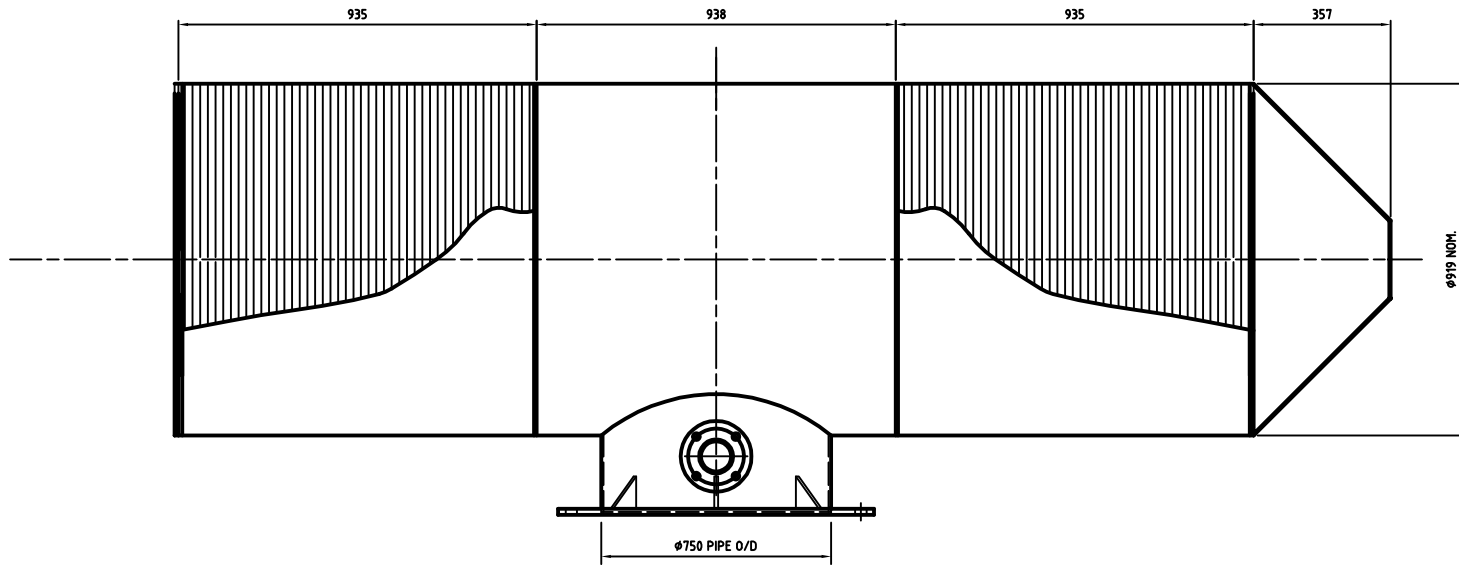


Drawing A-2

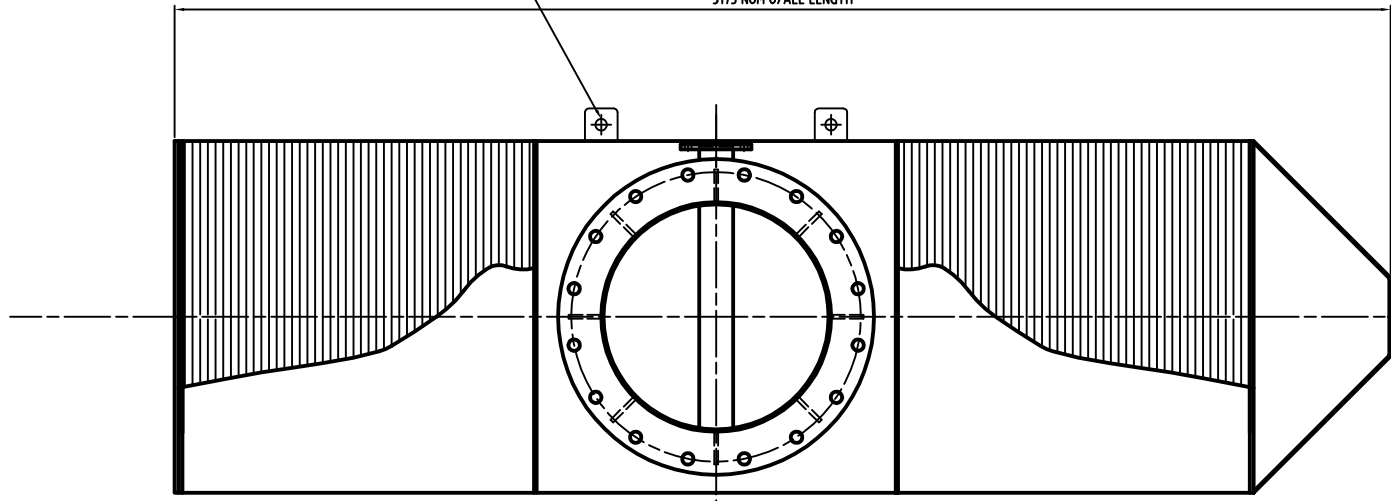


← FLOW

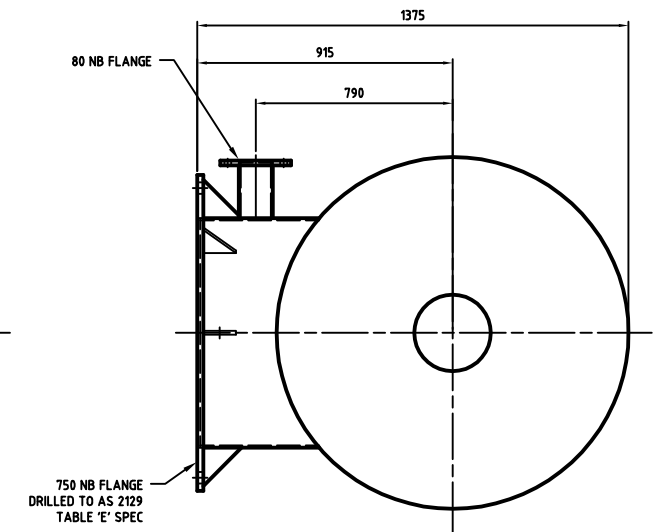
Ø30 LIFTING EYES

TOP VIEW

3175 NOM O/ALL LENGTH



FRONT VIEW

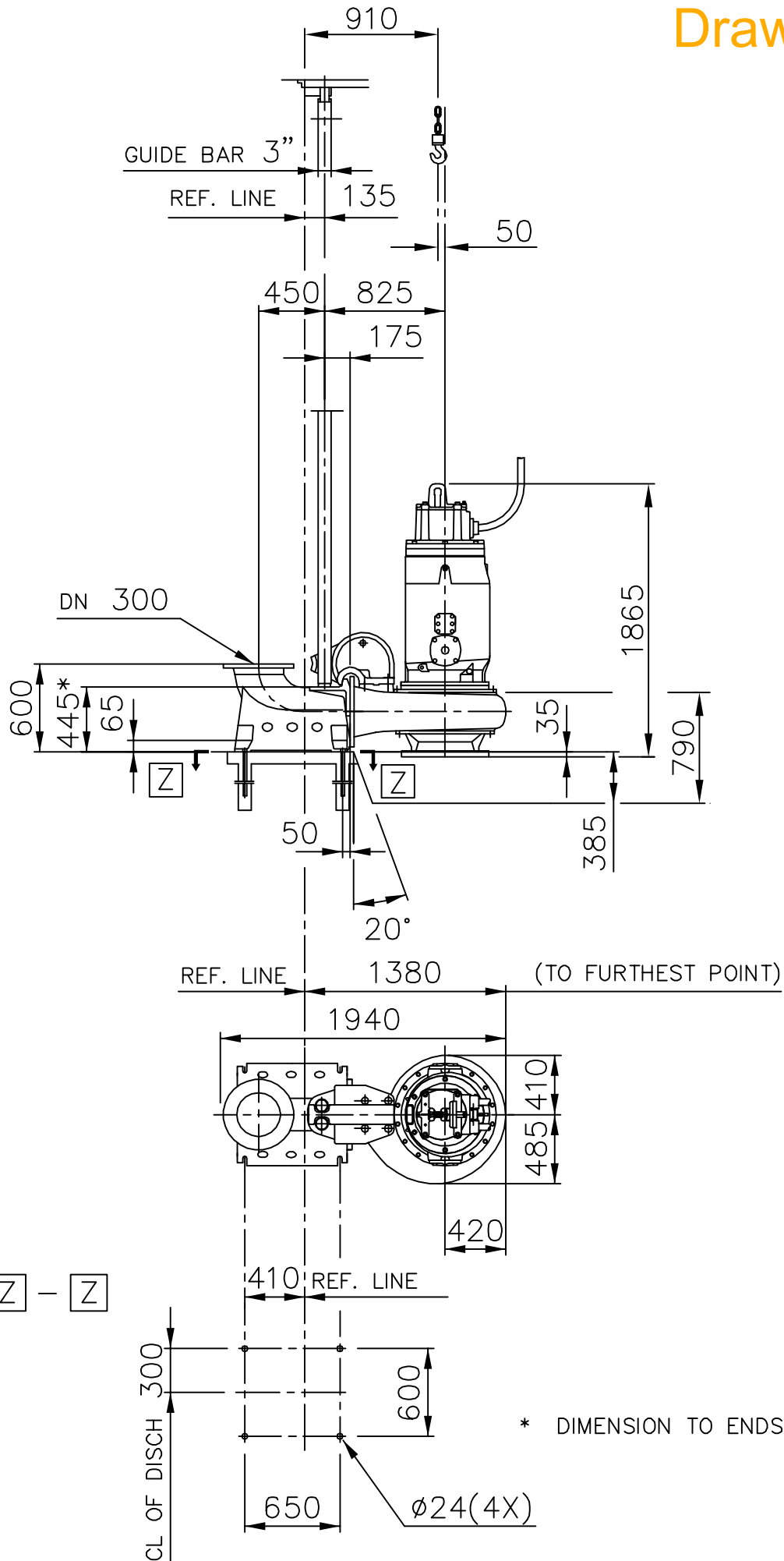


RIGHT SIDE VIEW

- NOTES:
 1. SLOT OPENING: 3.0 mm
 2. ENQUIRY REFERENCE No: 02/80996

TOLERANCES UNLESS NOTED OTHERWISE						Scale	
GENERAL DIMENSIONS	MACHINING DIMENSIONS	SLOT SIZE	FLATNESS	END FITTING ALIGNMENT	END FITTING CONCENTRICITY	N.T.S	
0-1000 ±0.10	1.0 ±0.1	± 0.075mm	SCREEN SURFACE ± 0.25 mm	± 0.5 @ 100mm/D	± 0.5 (-1.00 to +0.10) NOT TO EXCEED 10 mm	 A Weatherford Company	
1000-2000 ±0.15	1.5 ±0.1	SCREEN DIA (Revised & Plasma Cut) ± 0.30mm	INTERNAL SCREEN PANEL ± 0.10	± 0.5 @ 100mm/D	± 0.5 @ 100mm/D		
Over 2000 ±0.20	2.00 ±0.15		SURFACE TEXTURE			THIS DRAWING AND ALL INFORMATION CONTAINED THEREIN REMAINS THE PROPERTY OF JOHNSON SCREENS PTY. LTD. IS CONFIDENTIAL AND MAY NOT BE MADE PUBLIC OR COPIED. IT IS MADE AVAILABLE SUBJECT TO ITS RETURN UPON DEMAND, AND IS NOT TO BE USED, DIRECTLY OR INDIRECTLY, IN ANY WAY DETRIMENTAL TO THE INTERESTS OF JOHNSON SCREENS. INFRINGEMENTS OF THESE CONDITIONS WILL ATTRACT CLAIMS OF COMPENSATION.	
DRAWN TO AS1100 - 3RD ANGLE PROJECTION - DO NOT SCALE DIMENSIONS IN MILLIMETRES U.N.O. - BREAK ALL SHARP EDGES						Date: 09-06-05 Drawing Check: _____ Manufacturing Check: _____ Approval: _____	Title: T36-69 PASSIVE INTAKE SCREEN ARRANGEMENT Client: _____ Size: Usf a2 Dwg No: T36-69 G.A. Sheet: 1 of 1

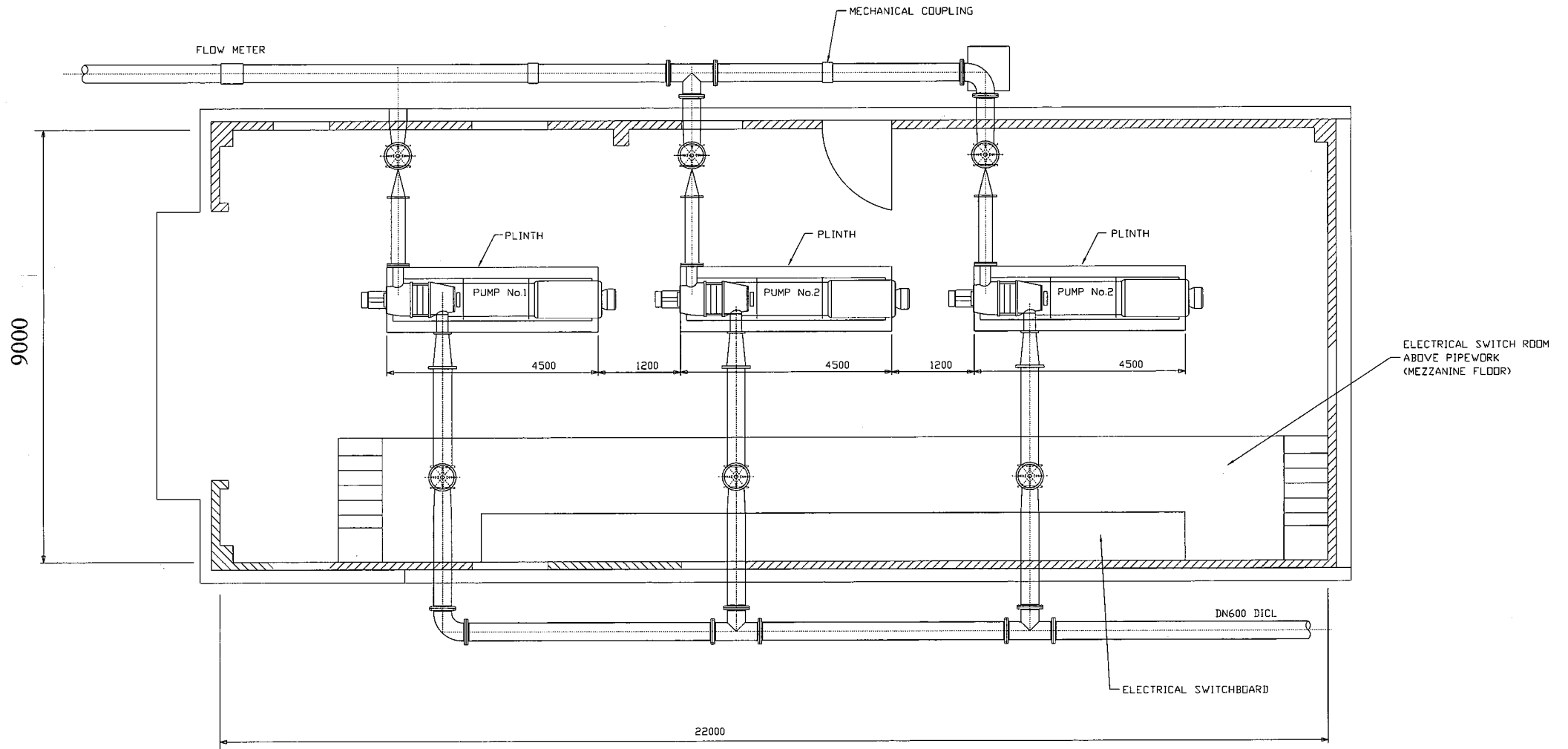
Drawing A-3



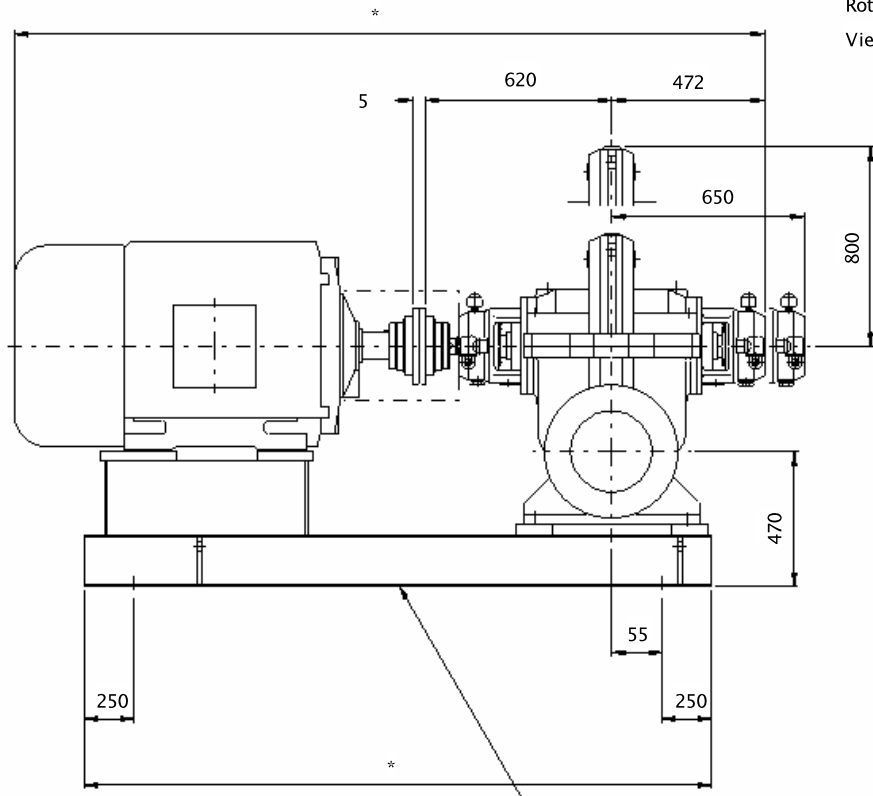
* DIMENSION TO ENDS OF GUIDE BARS

Weight (kg)	
Pump	Disch
1800	240

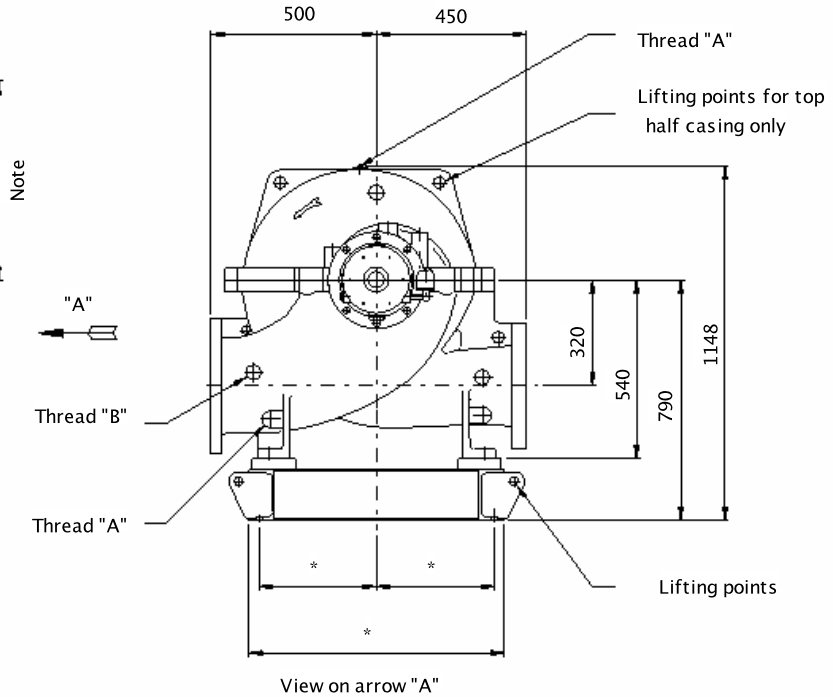
	Denomination	Drawn by	Checked by	Date
	Dimensional drwg	NK		090402
	CP,NP 3312 705/715	Scale	1:40	Reg no
	DN 300	6444000		5399
				6



PLAN



Rotation: Clockwise
Viewed on pump coupling



"A" NPT 1/2 in.
"B" NPT 1/2 in.

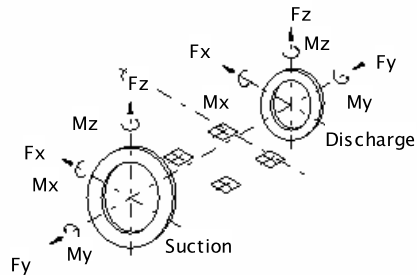
Note
Height to remove Top Half casing
Clearance required for lifting equipment
Top Half Casing weight approx 304 Kg

+ #NB Bolt holes each side
24 Dia. Equi spaced

Flanges Drilled PN 25

	Bore	P.C.D.	No of Holes	Size of Holes
Suction	250 mm	370 mm	12	30 mm
Discharge	200 mm	310 mm	12	28 mm

Holes drilled off centre equi spaced



	Maximum Moments (kNm) and Forces (kN)					
	Mx	My	Mz	Fx	Fy	Fz
Suction	REFER	REFER	REFER	REFER	REFER	REFER
Discharge	REFER	REFER	REFER	REFER	REFER	REFER

All dimensions are in millimeters unless otherwise specified

Not To Scale

Typical Drawing, not certified

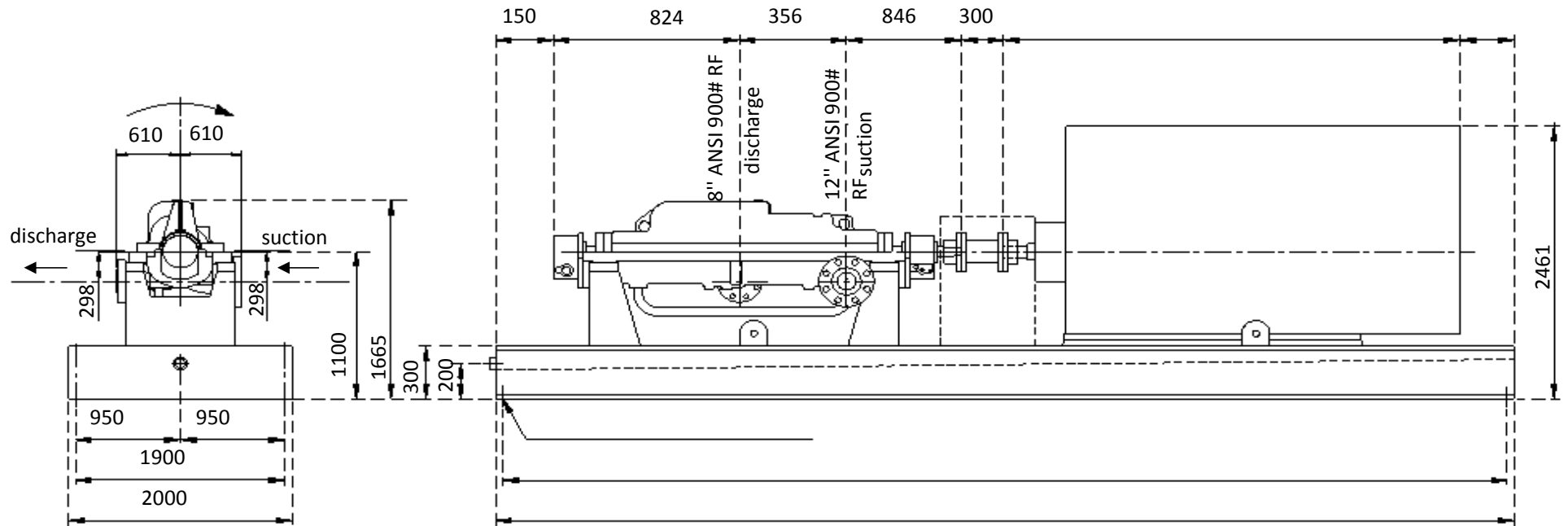
Customer : FLOWERVE PUMP DIVISION	Pump size & type : 200-LNN-525	Drawing number : -	Certified Drawing available with order
Item number : Broken Hill- PS1 & PS2	Pump speed / Stages : 1910 rpm / 1	Date : October 13, 2014	C773/9014/P01
Service : -	Flow / Head : 210.0 l/s / 150.00 m	Certified by / Date : -	
Customer PO # : -	Driver power / Frame : 450 kW / 603 hp /	Seal type : -	
Flowserve reference : 209199894	Volts / Phase / Hz : 440 / 3 / 50	Seal flush plan : Plan 11	

DIMENSIONAL DRAWING

Customer : DOC
 Quotation : DOC
 Item no. : 1

Pump size/type : 8x15 DMXD
 Number of stages : 2
 Pump rotation : CW (looking at pump DE)

Pump weight : 3650 kg
 Driver weight :
 Total weight : 5775 kg



Dimensions in [mm] and weights in [kg] are approximate only and are not to be used for construction purposes!

Flowserve : Nagi Naglapura
 Customer :
 Date : 14-Oct-14